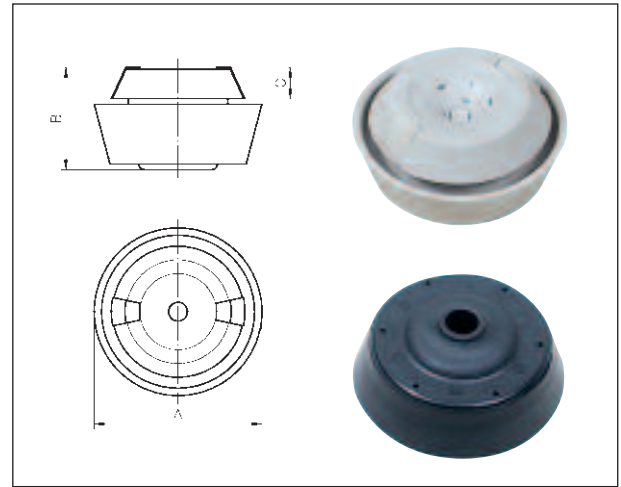



## PLIOFIX

**Material:** TPE and Polyamide 6.6  
**Colours:** black  
 grey (RAL 7035)  
**Temperature of use:** -20 to +125°C  
**Specifications:** IP 67

**Application:** They allow the passage of cables or conduits through their membranes by ensuring a sealing dust. They combine the advantages of grommets and a stuffing box. They are in particular compact parts offering a simplicity and a great speed of assembly.



type	article number		 pcs	cable-Ø mm	hole-Ø mm	metal thickness mm	A mm	B mm	C mm
	black 010	grey 025							
PLIOFIX M20	0144 0603 010	0144 0603 025	50	4 - 11	20,5	1,5 - 5	29,3 - 34,5	17 - 20	5,7
PLIOFIX M25	0144 0604 010	0144 0604 025	50	4 - 14	25,5	1,5 - 5	34,3 - 40,0	17 - 20	5,7
PLIOFIX M32	0144 0605 010	0144 0605 025	25	11 - 20	32,5	1,5 - 5	41,7 - 47,5	18,5	5,3