



PLIOCATCH

Fixing accessories

X120 - 0560 0003 0018 E



SES-STERLING [®]
www.ses-sterling.com





SES-STERLING®
www.ses-sterling.com

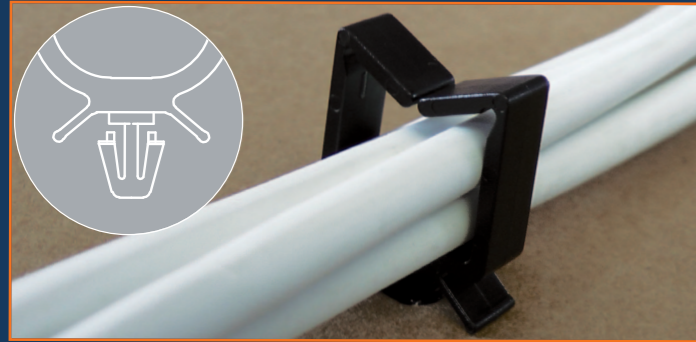
FIXING ACCESSORIES

PLIOCATCH



Cable lock to clip

MU-R200 ...



Fastening system for machine or electrical cabinet by clip. The range is composed of 4 models in 2 colours to meet different constraints.

PI-D1100



Clip mounting on switchgear support grid or on DIN rail in enclosures or cabinets.

GA-W



Suitable for horizontal and vertical cable routing at the front or rear of modular elements.

1U-W / 2U-W



Used in the computer field, in 19" rack racks on 1U and 2U strips.

Cable lock to screw

GA-V200 ...



Screw-on cable lock for fixing cables in machines or switch cabinets. The range is composed of 4 models in 2 colours to meet different requirements.

Cable guide DELTA

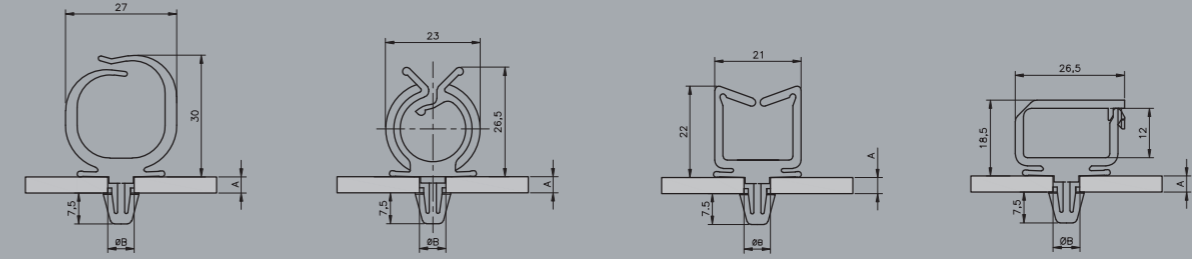
DELTA L/M



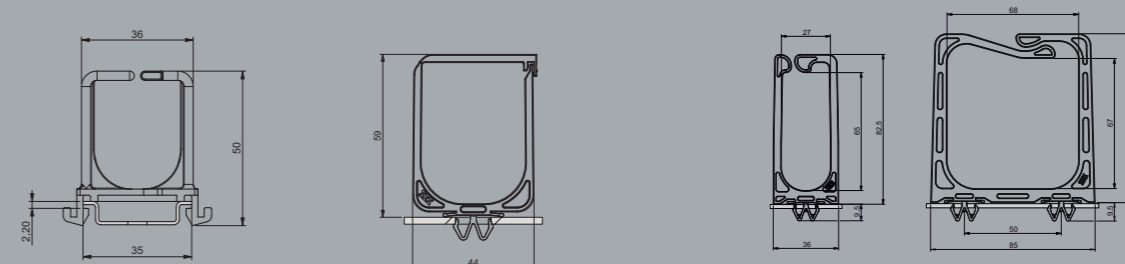
Recommended for the horizontal passage of cables from the back or front of the modular elements mounted on a double profile DIN or a rail DIN OMEGA.

Material:	PA
Colour:	natural - black
Operating temperatures:	-40 to +85°C
Flame resistance:	V2 UL94

PLIOCATCH to clip

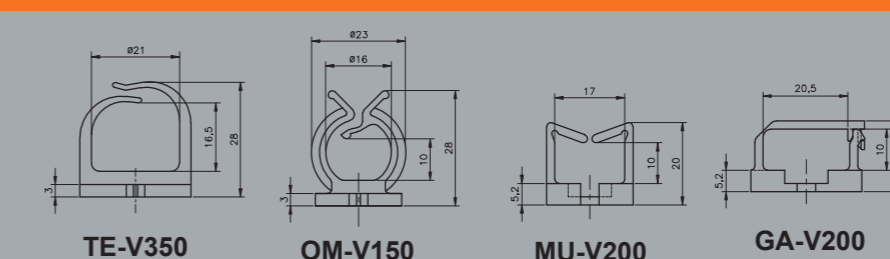


type	article number natural	article number black	A (mm)	Ø B (mm) mm	
TE-R350	0190 0121 018	0190 0121 010	1 ... 3	6 ... 6,4	100
OM-R150	0190 0221 018	0190 0221 010	1 ... 3	6 ... 6,4	100
MU-R200	0190 0321 018	0190 0321 010	1 ... 3	6 ... 6,4	100
GA-R200	0190 0421 018	0190 0421 010	1 ... 3	6 ... 6,4	100



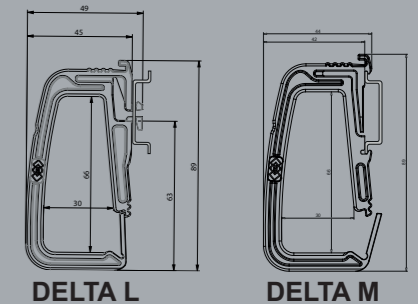
type	article number natural	article number black	
PI-D1100	0190 0531 018	0190 0531 010	100
GA-W 2400	-	0190 0651 010	10
1U-W	-	0190 0703 010	10
2U-W	-	0190 0704 010	10

PLIOCATCH to screw



type	article number natural	article number black	
TE-V350	0190 0111 018	0190 0111 010	100
OM-V150	0190 0211 018	0190 0211 010	100
MU-V200	0190 0311 018	0190 0311 010	100
GA-V200	0190 0411 018	0190 0411 010	100

Cable guide



type	article number grey	
DELTA L	0190 0601 013	10
DELTA M	0190 0602 013	10



SES-STERLING [®]
www.ses-sterling.com

All around the cable

WORKING WITH SES-STERLING

A global supplier

At SES-STERLING, we are manufacturers and have six production units located within a 50 km radius.

Our 25000 catalogue references allow us to cover all the needs of our customers.

In addition, we have a large stock to ensure optimal delivery time.

An expert partner for 90 years

Our company is a family business created by Ernst Hess in 1928. Our expertise allows us to continually innovate and create our own production tools.

To do so, we have a laboratory, a department research and development and an office of methods.



A committed supplier

Our production is 100% Made in France and we attach a strategic importance to our territorial anchorage.

Indeed, we are partner of our region with the Alsace brand and our city Saint-Louis with the creation of a park.