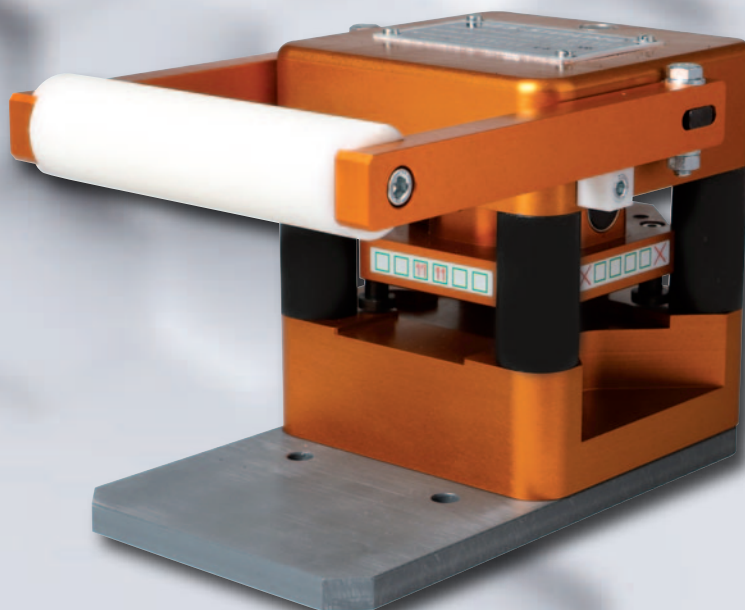




SES-PREMO

Cold printing unit

1V/19 - 0960 003 0028 E



Operating instruction in video

SES-STERLING [®]
www.ses-sterling.com



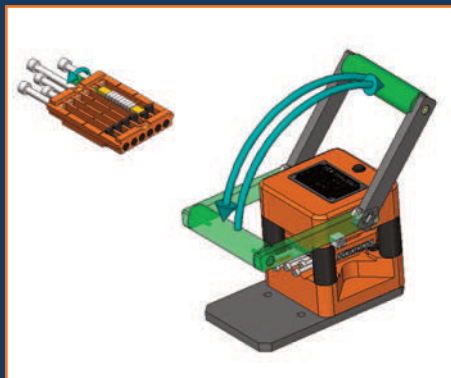
Cold printing unit SES-PREMO

For the identification of cables, conduits and posts



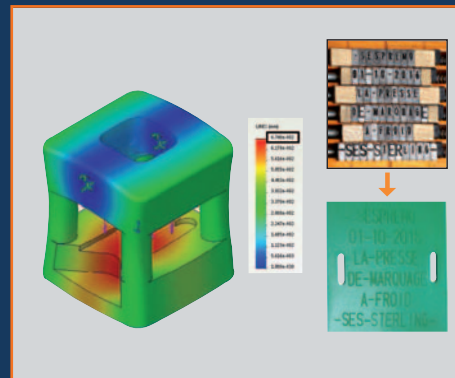
The SES-PREMO press is designed for the marking of our plates used to identify cables, pipes, poles ... Easy to use, a simple action of the handle of the press allows an indelible and tamper-proof marking. This workshop press can be used on site, SES-PREMO is delivered in a robust transport case equipped with composition boxes for storing characters and holders. Its character holder offers the possibility of performing longitudinal (4 lines of 15 characters) or transversal (6 lines of 11 or 15 characters) marking. Thanks to the mounting holes on its base, the press can be fixed on bench for a better stability.

Ease of use



Marking by simple action of the handle of the press, without effort

Maximum marking



Recommended maximum marking: 60 characters, or an effort of about 3000 daN.

CH-M plates



CH-M plates for use with the SES-PREMO press.

SES-QUICK cable ties



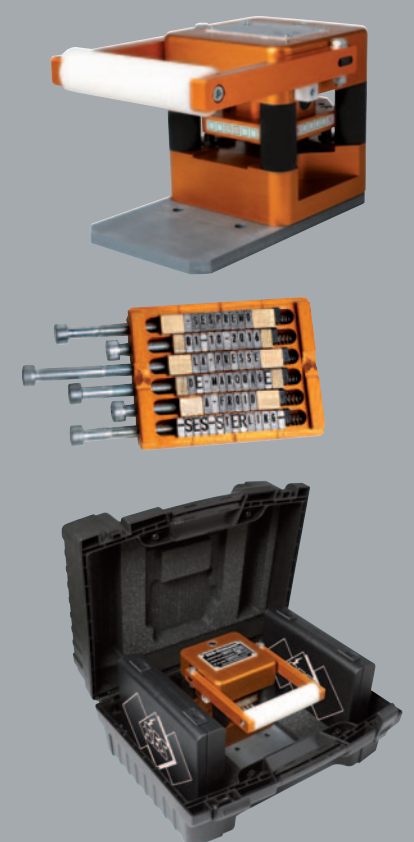
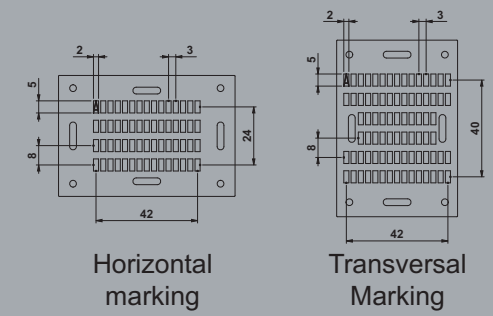
Cable ties SES-QUICK for fixing CH-M plates.

SES-PREMO



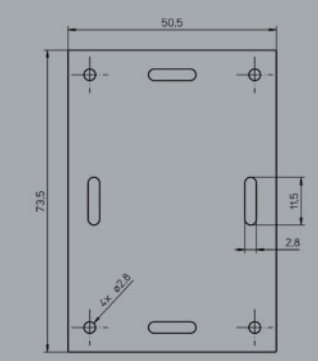
Dimension of the press:	207,5 x 152 x 140 mm
Weight:	4,480 kg
Application:	Designed for the marking of CH-M plates for the identification of cables, conduits and posts, both in outdoor and underground, particularly in the field of telecommunications.

type	article number	composition	article number
Complete kit SES-PREMO	0417 0113 000	- Case	0417 0130 000
		- Press	0417 0111 000
		- Die holder	0417 0112 000
		- 2 Boxes for composition	0417 0120 000
		- 4 set dies A à Z	0417 0040 000 A-Z
		- 12 set dies 0 à 9	0417 0041 000 0-9
		- 5 blind dies	0417 0060 000 ES
- 15 special characters	0417 0060 000 SP		
Conversion Kit SES-PREMO	0417 0114 000	- Case	0417 0130 000
		- Press	0417 0111 000
		- Die holder	0417 0112 000
Case	0417 0130 000	- 2 Boxes for composition (without characters)	0417 0120 000
		- Press	0417 0111 000
Die holder (with wedges)	0417 0112 000		
Box for composition	0417 0120 000		
Set dies A-Z	0417 0040 000 A-Z		
Set dies 0-9	0417 0041 000 0-9		
5 blind dies	0417 0060 000 ES		
15 special characters	0417 0060 000 SP		



CH-M plates for the identification of cables, sleeving and tubes

type	article number	colours	quantity
CH-M PE YE	0140 0022 004	yellow	100
CH-M PE BU	0140 0023 002	blue	100
CH-M PE OG	0140 0024 005	orange	100
CH-M PE BK	0140 0026 010	black	100
CH-M PE GN	0140 0027 003	green	100
CH-M PE RD	0140 0028 007	red	100
CH-M PE VT	0140 0036 008	purple	100
CH-M PE GY	0140 0037 013	grey	100





SES-STERLING [®]
www.ses-sterling.com

All around the cable

WORKING WITH SES-STERLING

A global supplier

At SES-STERLING, we are manufacturers and have six production units located within a 50 km radius.

Our 25000 catalogue references allow us to cover all the needs of our customers.

In addition, we have a large stock to ensure optimal delivery time.

An expert partner for 90 years

Our company is a family business created by Ernst Hess in 1928. Our expertise allows us to continually innovate and create our own production tools.

To do so, we have a laboratory, a department research and development and an office of methods.



A committed supplier

Our production is 100% Made in France and we attach a strategic importance to our territorial anchorage.

Indeed, we are partner of our region with the Alsace brand and our city Saint-Louis with the creation of a park.